

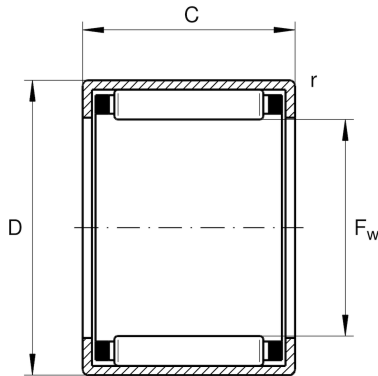
## HK1212-AS1-B

Drawn cup needle roller bearing open end

Schaeffler ID:  
0000604290000

Drawn cup needle roller bearing open end  
HK...AS1-B, single row, with cage

### Technical information



#### Main Dimensions & Performance Data

$F_w$	12 mm	Under roller diameter
$D$	18 mm	Outside diameter
$C$	12 mm	Width
$C_r$	6.500 N	Basic dynamic load rating, radial
$C_{0r}$	7.300 N	Basic static load rating, radial
$C_{ur}$	880 N	Fatigue load limit, radial
$n_G$	20.000 1/min	Limiting speed
$n_{G \text{ Grease}}$	12.000 1/min	Limiting speed for grease lubrication
$n_{gr}$	15.500 1/min	Reference speed
	8,874 g	Weight

#### Dimensions

$C_1$	12 mm	Width, outer ring
$r_{\min}$	0,8 mm	Minimum chamfer dimension

#### Temperature range

$T_{\min}$	-30 °C	Operating temperature min.
$T_{\max}$	140 °C	Operating temperature max.

#### Additional information

SD12X18X3	Sealing ring
G12X18X3	Sealing ring 2
LR8X12X12,5	Suitable inner rings LR
IR8X12X12,5-XL	Suitable inner rings IR